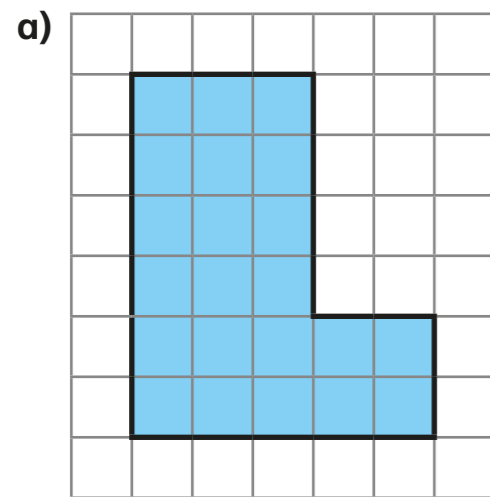
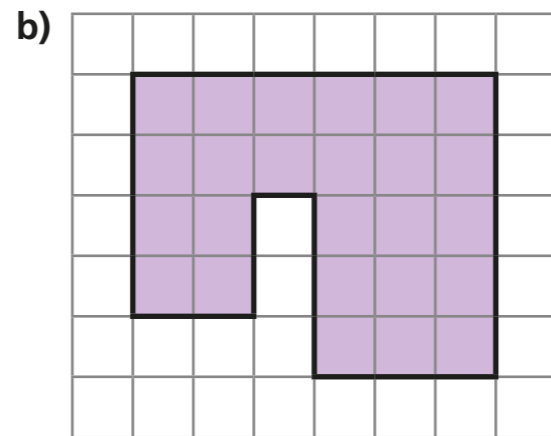


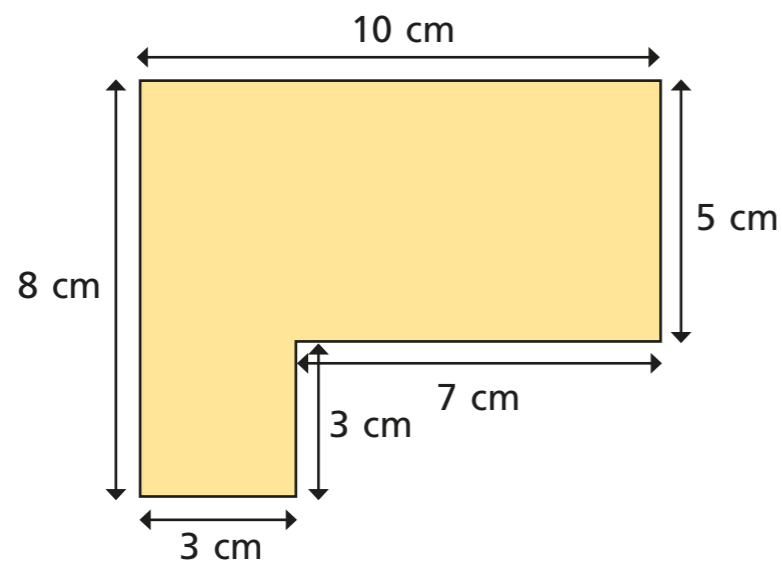
Perimeter of rectilinear shapes

- 1 The length of each square on the grid is 1 cm.
Work out the perimeter of the shapes.

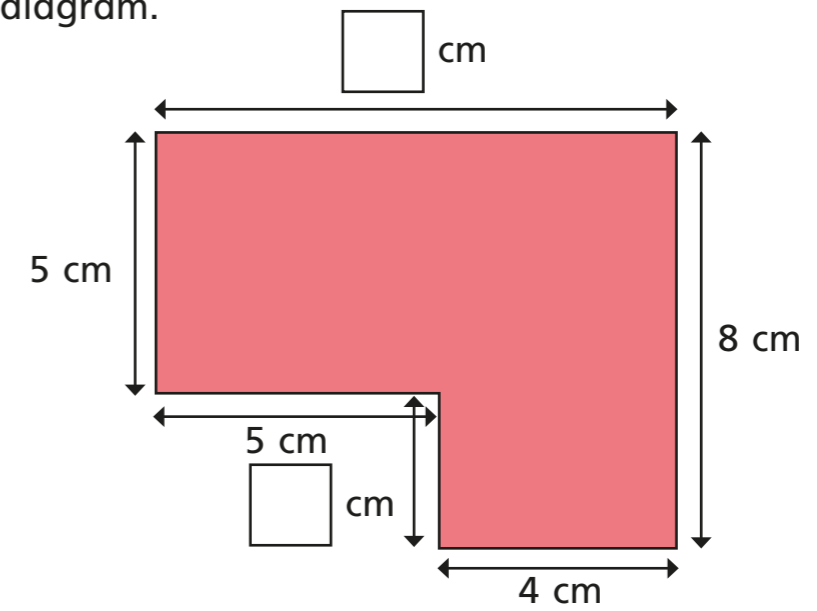




- 2 Work out the perimeter of the shape.

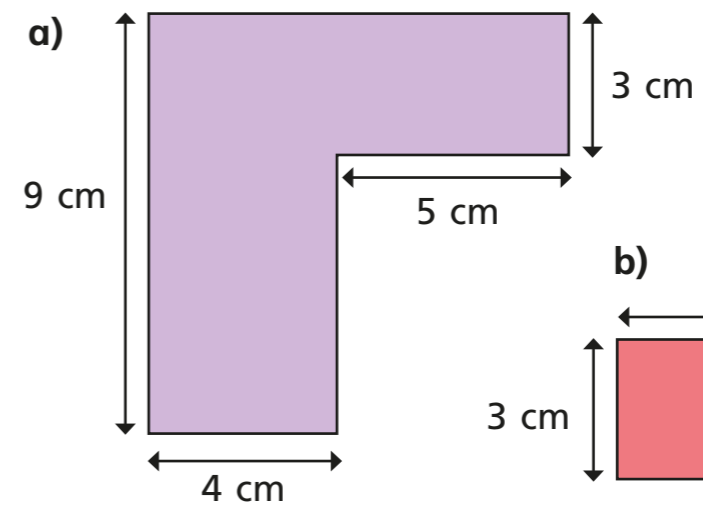


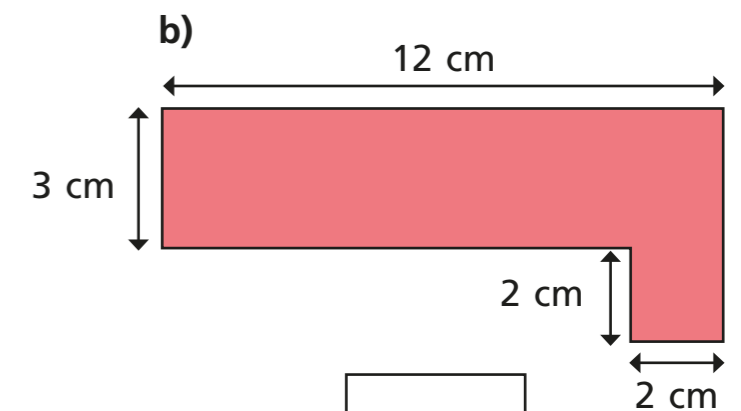
- 3 a) Work out the missing lengths and label them on the diagram.



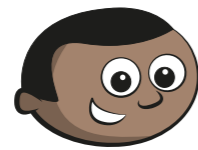
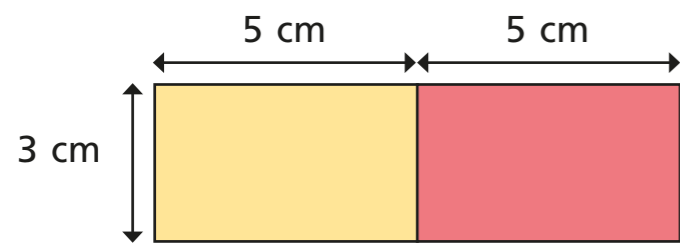
- b) What is the perimeter of the shape?

- 4 Work out the perimeter of each shape.





- 5 Mo puts two 5 cm by 3 cm rectangles next to each other.



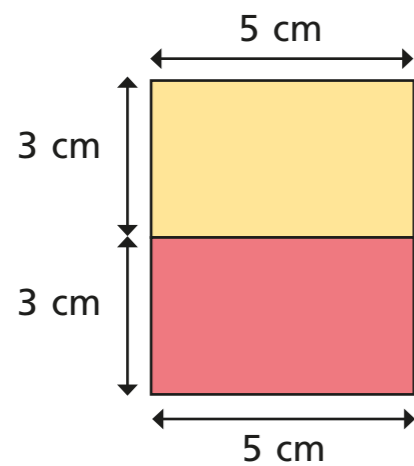
The perimeter of each small rectangle is 16 cm, so the perimeter of my larger rectangle must be $2 \times 16 \text{ cm} = 32 \text{ cm}$.

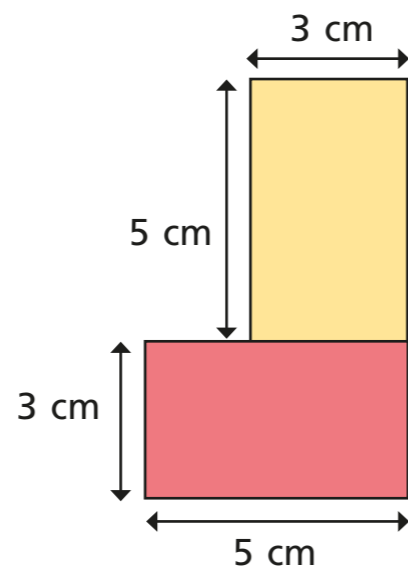
- a) Is Mo correct? _____

Work out the perimeter of the larger rectangle to check your answer.

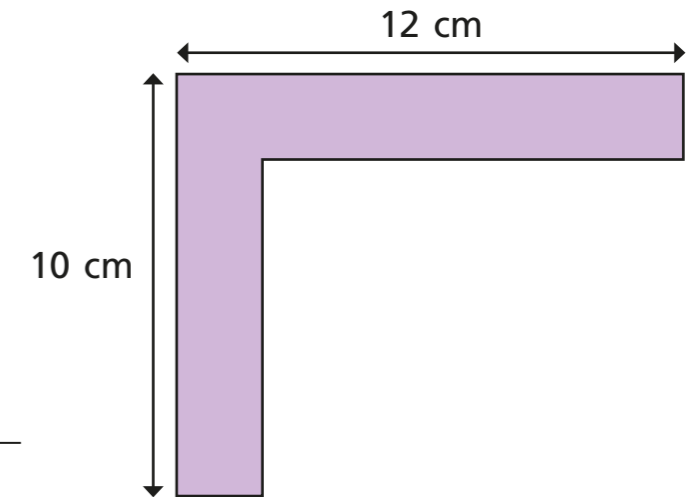
- b) Mo puts the rectangles together in different ways.

Work out the perimeter of each large shape.





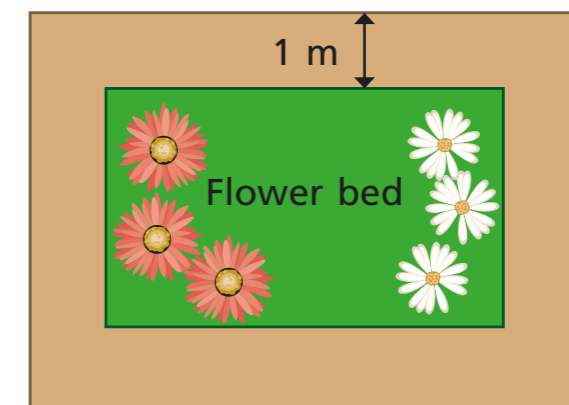
- 6 Dani thinks there isn't enough information to work out the perimeter of the shape.



Is Dani correct? _____

Explain your answer.

- 7 A rectangular flower bed is 5 m long and 3 m wide. The path around the flower bed is 1 m wide.



- a) What is the perimeter of the flower bed?

- b) What is the perimeter of the outside of the path?

